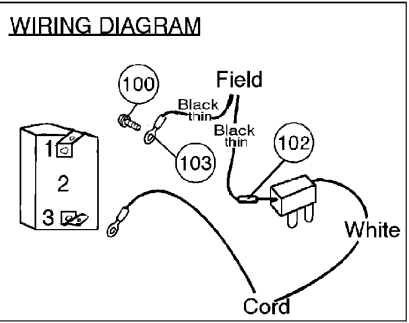
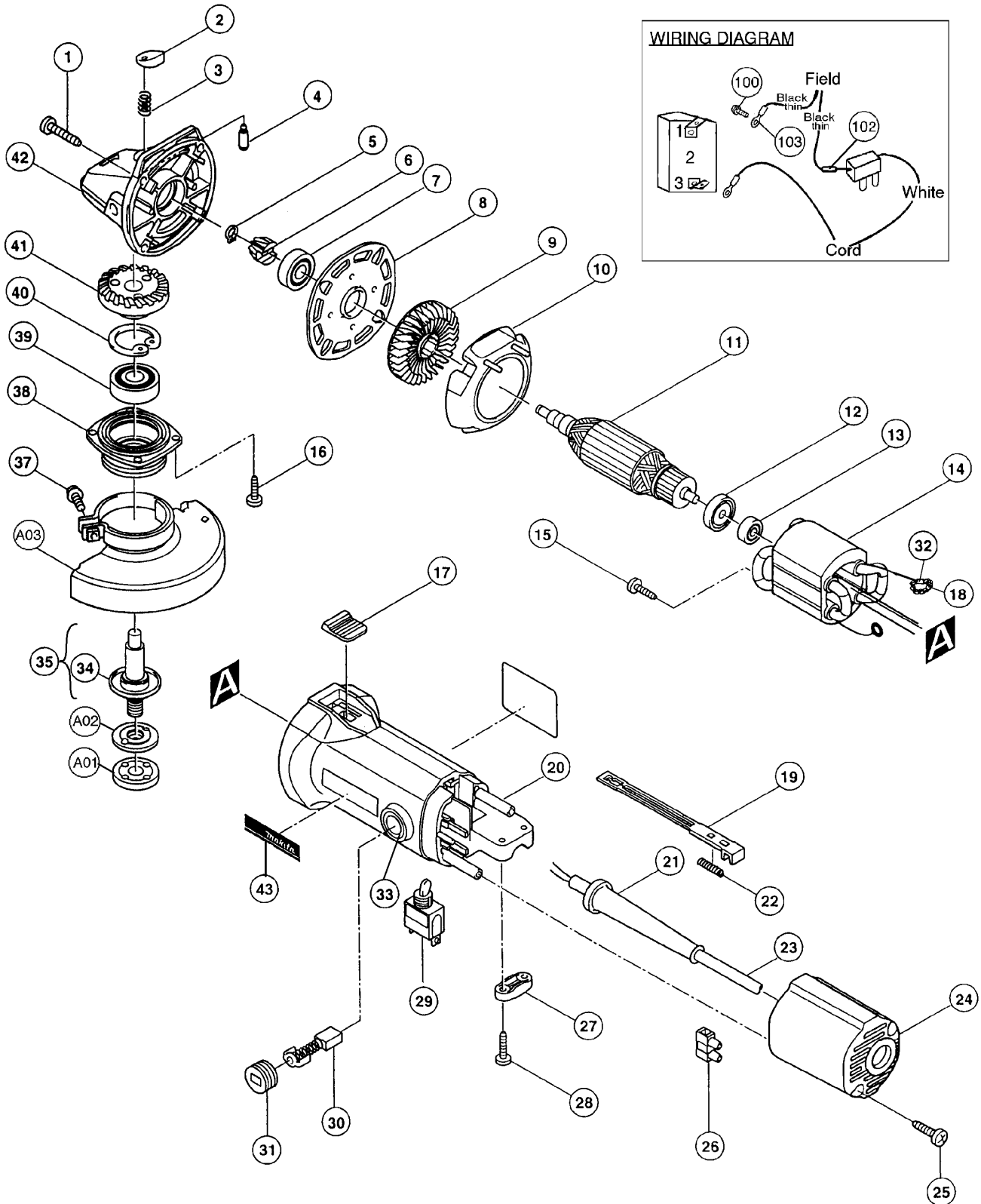
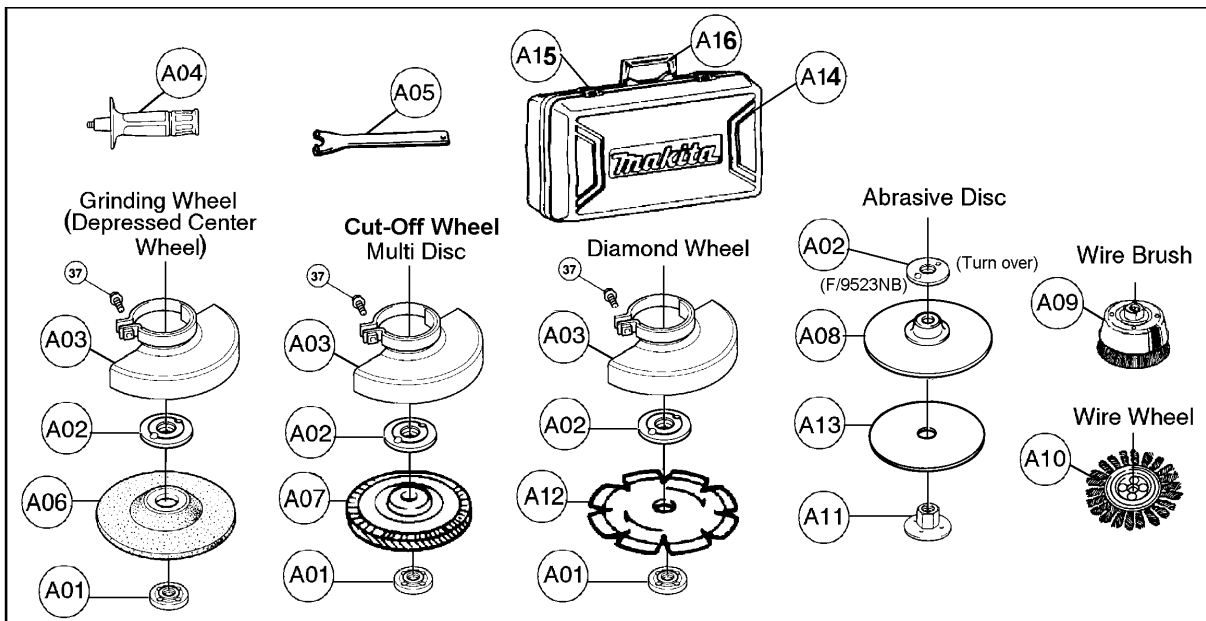




4" DISC GRINDER (M10-1.5)
 4" DISC GRINDER (M10-1.25)
 4-1/2" DISC GRINDER (5/8"-11UNC)
 5" DISC GRINDER (5/8"-11UNC)

Model 9523NB**/NBX**(MCA)
 Model 9523NBH (MCC)
 Model 9524NB (MCA, MCC)
 Model 9525NB (MCA)





| Item No. | Part No. | No. Used | Description | Item No. | Part No. | No. Used | Description |
|----------|----------|----------|---|----------|----------|----------|--|
| 1 | 266041-8 | 4 | Tapping Screw 5x25(Old 266111-3) (9523NB**, 9524NB & 9525NB) | 28 | 265995-6 | 2 | Tapping Screw 4x18 (Old 266121-0) (9523NB**, 9524NB, 9525NB) |
| | 266041-8 | 4 | Tapping Screw 5X25 (9523NBH) | | 265995-6 | 1 | Tapping Screw 4X18 (9523NBH) |
| 2 | 415491-6 | 1 | Pin Cap | 29 | 651403-7 | 1 | Switch |
| 3 | 233072-2 | 1 | Compression Spring 8 | 30 | 191938-1 | 2 | Carbon Brush CB-408 (2pcs/Set) |
| 4 | 256437-1 | 1 | Pin 4 | 31 | 643928-5 | 2 | Holder Cap |
| 5 | 961002-0 | 1 | Retaining Ring S-6 | 32 | 654501-6 | 2 | Solderless Connector P-1.25 |
| 6 | * | 1 | Spiral Bevel Gear 11 (9523NB**, 9523NBH & 9524NB) | 33 | 643927-7 | 2 | Brush Holder |
| | * | 1 | Spiral Bevel Gear 10 (9525NB) | 34 | 344347-5 | 1 | Labyrinth Ring |
| 7 | 211062-5 | 1 | Ball Bearing 6000ZZ | 35 | 152528-5 | 1 | Spindle Com. M10-1.5 (9523NB**) (Includes Item 34) |
| 8 | 285684-7 | 1 | Bearing Retainer 52 | | 152608-7 | 1 | Spindle Com. M10-1.25 (9523NBH) (Includes Item 34) |
| 9 | 241890-4 | 1 | Fan 57 | | 152538-2 | 1 | Spindle Com. 5/8" (9524NB & 9525NB) (Includes Item 34) |
| 10 | 415954-2 | 1 | Baffle Plate | 37 | 251391-4 | 1 | P.H. Screw M5x16 |
| 11 | 517301-4 | 1 | Armature Assy (Includes Items 12 & 13) | 38 | 316800-1 | 1 | Bearing Box |
| 12 | 681638-6 | 1 | Insulating Washer | 39 | 211129-9 | 1 | Ball Bearing 6201DDW (Old 211107-9 - 6201ZZ) (9523NB**, 9523NBH, 9524NB & 9525NB) |
| 13 | 211012-0 | 1 | Ball Bearing 606ZZ | 40 | 962151-6 | 1 | Retaining Ring R-32 |
| 14 | 521621-0 | 1 | Field Assy (Includes Items 18 & 32) | 41 | * | 1 | Spiral Bevel Gear 36 (9523NB**, 9523NBH & 9524NB) |
| 15 | 266007-8 | 2 | Tapping Screw Bind PT3x10 | | * | 1 | Spiral Bevel Gear 36(9525NB) |
| 16 | 266034-5 | 4 | Tapping Screw CT 4x16 | 42 | 159867-4 | 1 | Gear Housing Com. (Includes 212043-2 - Needle Bearing 810)(Items 2,3,& 4 - NOT INCLUDED) |
| 17 | 415952-6 | 1 | Switch Knob | 43 | 819063-3 | 1 | Makita Label |
| 18 | 654100-4 | 2 | Garter Spring | 100 | 652008-6 | 2 | P.H. Screw M3.5x7 |
| 19 | * | 1 | Switch Lever | 102 | 654149-4 | 1 | Non-Insulated Sleeve (9523NB**, 9524NB & 9525NB) |
| 20 | 159866-6 | 1 | Motor Housing Com. (Includes Item 33) | 103 | 654037-5 | 2 | Insulated Eye Terminal FV1.25-M3 |
| 21 | 682502-4 | 1 | Cord Guard 8-85 | | | | |
| 22 | * | 1 | Compression Spring 4 | | | | |
| 23 | 664013-1 | 1 | Cord With Plug 2P-18G-2.5M | | | | |
| 24 | 415955-0 | 1 | Rear Cover | | | | |
| 25 | 265995-6 | 2 | Tapping Screw 4x18 (Old 266121-0) (9523NB**, 9524NB & 9525NB) | | | | |
| | 265995-6 | 2 | Tapping Screw 4X18 (9523NBH) | | | | |
| 26 | 654532-5 | 1 | Terminal Block 1P | | | | |
| 27 | 687063-9 | 1 | Strain Relief | | | | |

2 Model 9523NB**/NBX**
 2 Model 9523NBH
 2 Model 9524NB
 2 Model 9525NB

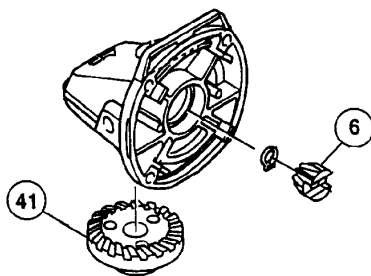
* SEE SERVICE CHANGES

| Item No. | Part No. | No. Used | Description | Item No. | Part No. | No. Used | Description |
|--------------------|-----------------|----------|---|----------|----------|----------|---|
| Accessories | | | | A04 | 152490-4 | 1 | Grip 36 Com. |
| A01 | 224563-4 | 1 | Lock Nut 10-35 (9523NB**) (For M10X1.5) (For D.C.W.,Diamond Wheel & Multi Disc) | A05 | 782401-1 | 1 | Lock Nut Wrench 20 (9523NB** & 9523NBH) |
| | 224545-6 | 1 | Lock Nut 10-35 (9523NBH) (For M10X1.25) (For D.C.W., Diamond Whee & Multi Disc) | | 782412-6 | 1 | Lock Nut Wrench 28 (9524NB & 9525NB) |
| | 224509-0 | 1 | Lock Nut 5/8-40 (9524NB & 9525NB) (Type 1) (For D.C.W., Diamond Wheel & Multi Disc) | A06 | ----- | 1 | Depressed Center Wheel (See Catalogue for Details) |
| | 224566-8 | 1 | Lock Nut (Type 2) (9524NB & 9525NB) (For D.C.W., Diamond Wheel & Multi Disc) (When changing to Type 2 Lock Nut - make sure to change to Type 2 Inner Flange at the same time) | A07 | ----- | 1 | Multi Disc (See Catalogue for Details) |
| A02 | 224337-3 | 1 | Inner Flange 35 (9523NB** & 9523NBH) (For D.C.W., Diamond Wheel, Abrasive Disc & Multi Disc) | A08 | 743009-6 | 1 | Rubber Pad (9523NB** & 9523NBH) |
| | 224361-6 | 1 | Inner Flange 82 (Type 1)(9524NB & 9525NB) (For D.C.W. & Multi Disc) | | 743036-3 | 1 | Rubber Pad (9524NB) |
| | 224368-2 | 1 | Inner Flange 45 (Type 2) (9524NB & 9525NB) (For D.C.W. & Multi Disc) (When changing to Type 2 Inner Flange 45 - make sure to change to Type 2 Lock Nut at the same time) | | 743015-1 | 1 | Rubber Pad (9525NB) |
| | 224029-4 | 1 | Inner Flange 40 (9524NB & 9525NB) (For Diamond Wheel) | A09 | ----- | 1 | Wire Brush (See Catalogue for Details) |
| A03 | 165187-6 | 1 | Wheel Cover F/4" (9523NB** & 9523NBH) (For D.C.W., Diamond Wheel & Multi Disc) | A10 | ----- | 1 | Wire Wheel (See Catalogue for Details) |
| | 192476-6 | 1 | Wheel Guard F/4" C.O.W. (9523NB**) | A11 | 224502-4 | 1 | Lock Nut 10-30 (9523NB**) |
| | 165053-7 | 1 | Wheel Cover Assy F/4-1/2" (9524NB) (For D.C.W.,Diamond Wheel & Multi Disc) | | 224501-6 | 1 | Lock Nut 10-30 (9523NBH) |
| | 125097-9 | 1 | Wheel Cover Assy (9525NB) (For D.C.W., Diamond Wheel & Multi Disc) (With Item 37) | | 224517-1 | 1 | Lock Nut 5/8-48 (9524NB & 9525NB) (For Abrasive Disc) |
| | | | | A12 | ----- | 1 | Diamond Wheel (See Catalogue for Details) |
| | | | | A13 | ----- | 1 | Abrasive Disc (See Catalogue for Details) |
| | | | | A14 | 824135-A | 1 | Plastic Carrying Case (9523NBX**) (Includes Item A15 & A16) |
| | | | | A15 | A00188-3 | 2 | Snap Lock (L) |
| | | | | A16 | A00181-7 | 1 | Black Plastic Handle |

* SEE SERVICE CHANGES

SERVICE CHANGES

1. Change on Spiral Bevel Gear. (9525NB only)

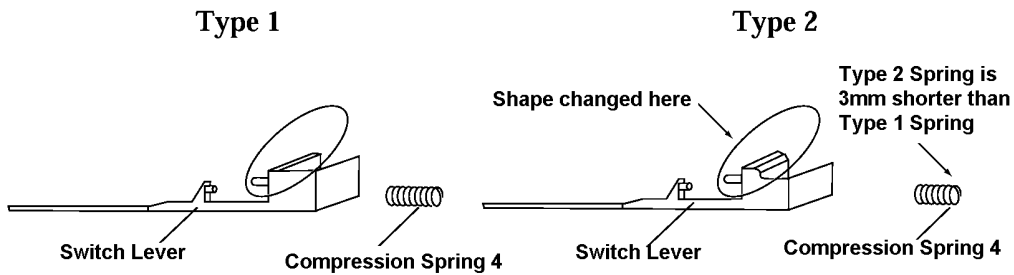


| Item No. | Description | Type 1 | Type 2 |
|----------|----------------------|-------------------------------|----------|
| 6 | Spiral Bevel Gear 10 | 226735-7(No Longer Available) | 226748-8 |
| 41 | Spiral Bevel Gear 36 | 226734-9(No Longer Available) | 226749-6 |

Above parts are completely interchangeable as a set.

3 Model 9523NB**/NBX**
3 Model 9523NBH
3 Model 9524NB
3 Model 9525NB

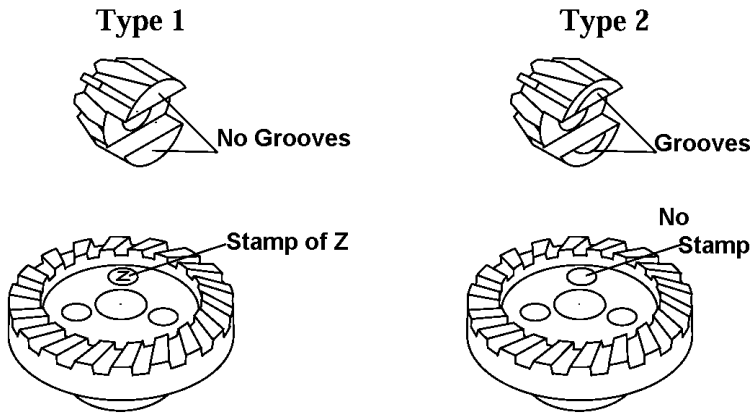
2. Change on Switch Lever and Compression Spring



| Item No. | Description | Type 1 | Type 2 |
|----------|----------------------|----------|-----------------|
| 19 | Switch Lever | 415953-4 | 417352-6 |
| 22 | Compression Spring 4 | 233153-2 | 233285-5 |

Above parts are completely interchangeable as a set.

3. Change on Spiral Bevel Gear 11 and Spiral Bevel Gear 36. (9523NB/9523NBX**, 9524NB, 9523NBH)**



| Item No. | Description | Type 1 | Type 2 |
|----------|----------------------|-----------|-----------------|
| 6 | Spiral Bevel Gear 11 | 226733-1 | 226799-1 |
| 41 | Spiral Bevel Gear 36 | 226728-4 | 226798-3 |
| Serial # | 9524NB | ~ 559729K | 559730K ~ |
| | 9523NBH | ~ 248609K | 248610K ~ |

Above parts are completely interchangeable as a set.
 Models 9523NB** and 9523NBX** have only Type 1 Gear.

- 4 Model 9523NB**/NBX**
- 4 Model 9523NBH
- 4 Model 9524NB
- 4 Model 9525NB